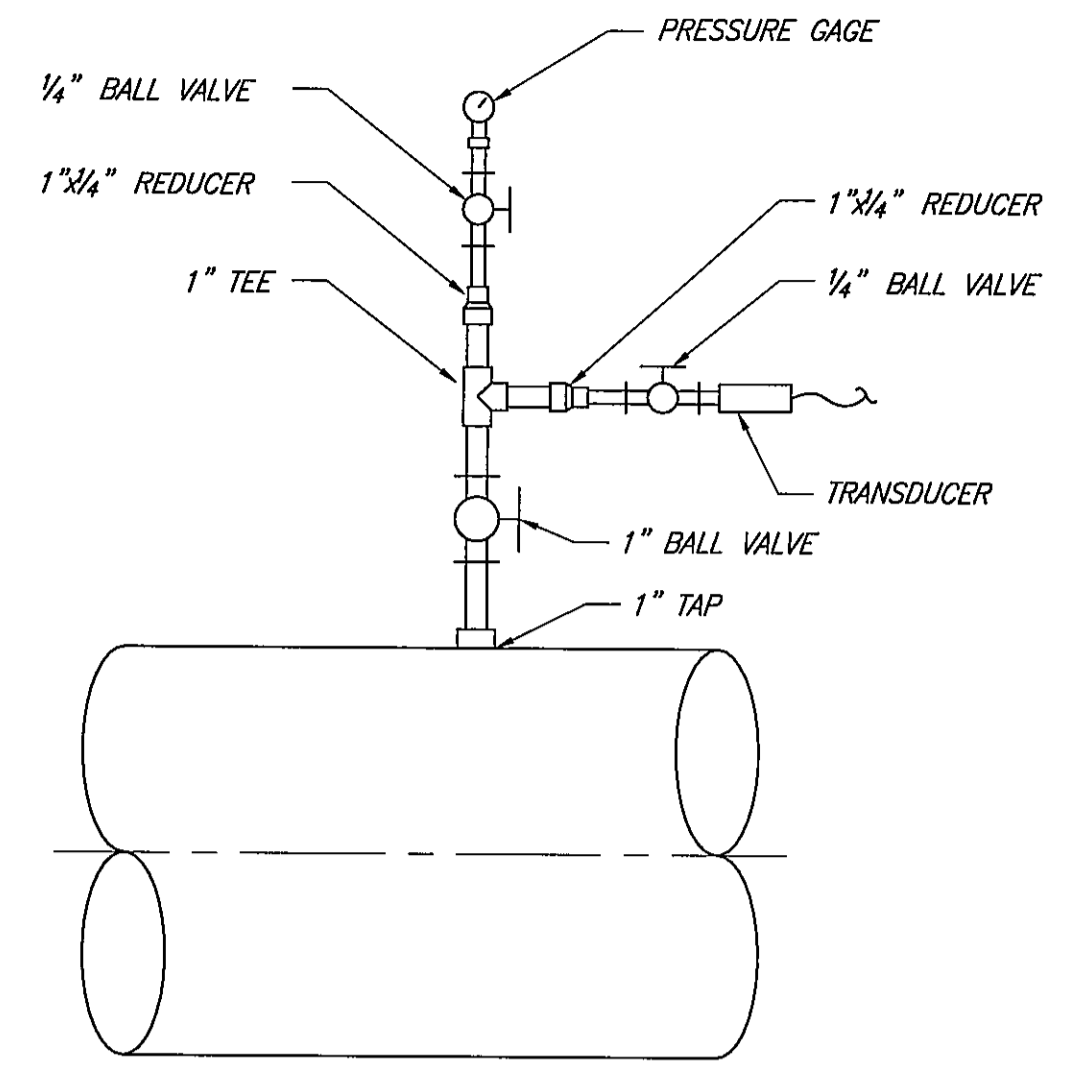
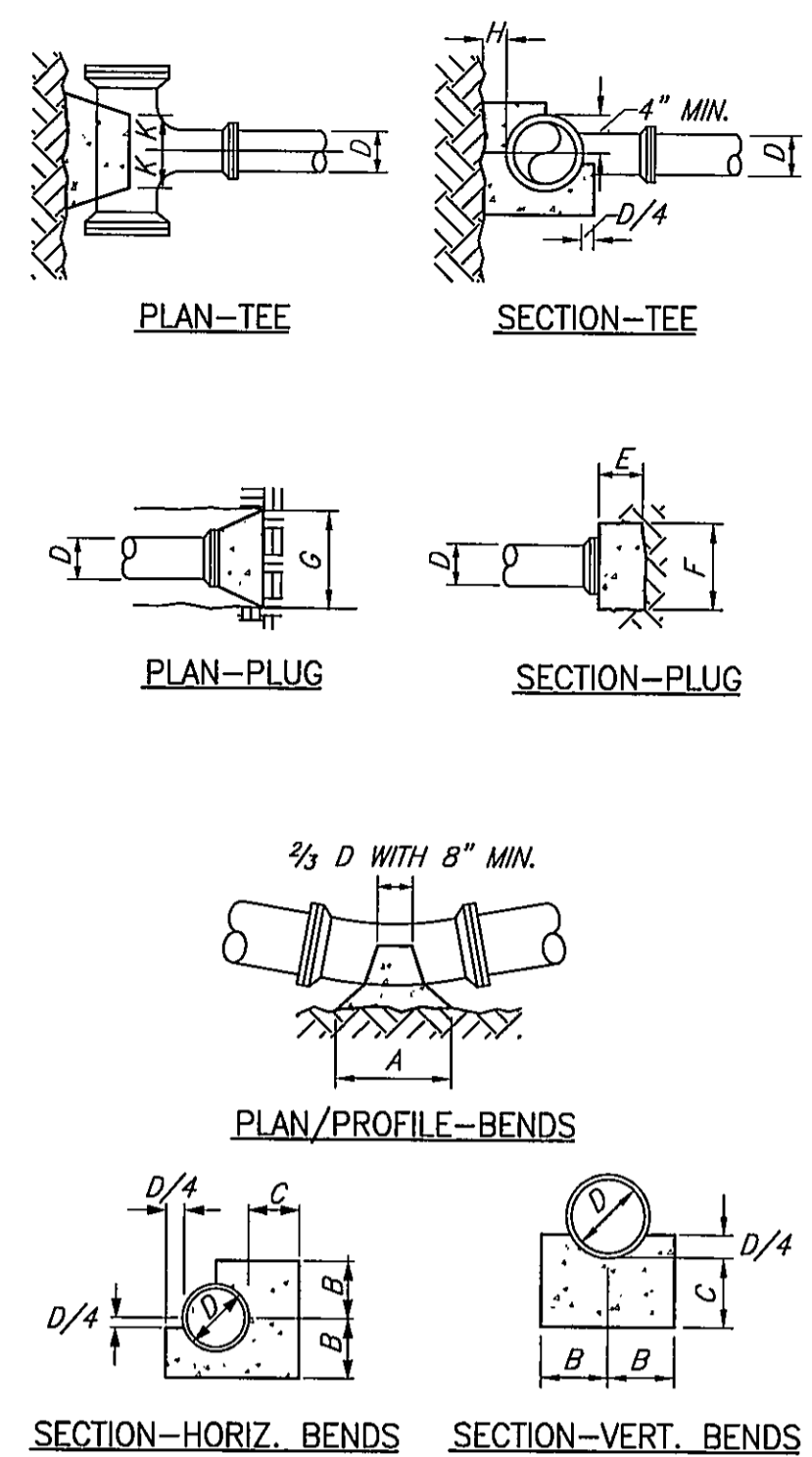


FRENCH DRAIN DETAIL
NO SCALE



TANK PRESSURE TRANSDUCER
NO SCALE

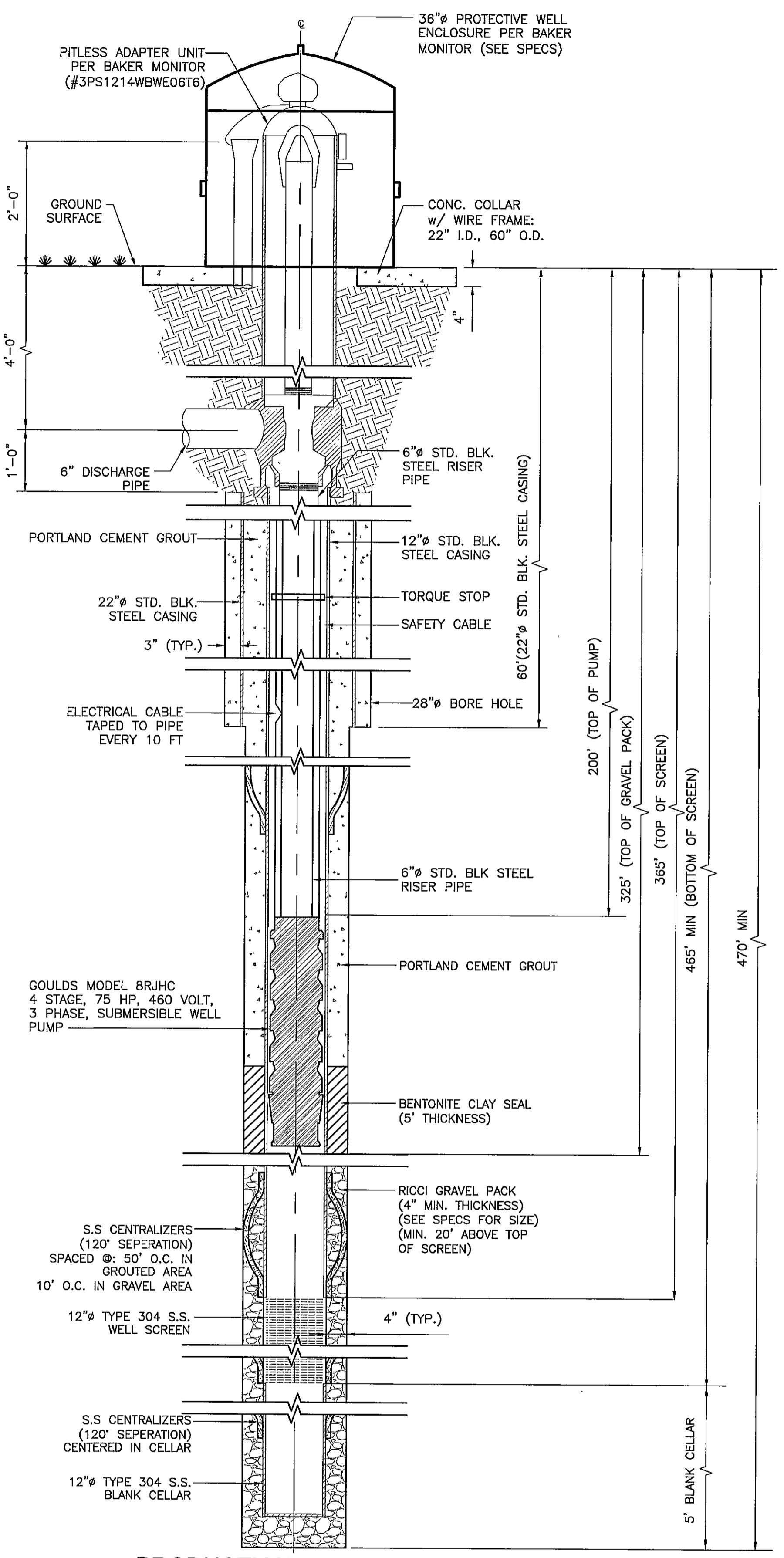


NOTES:

- ALL CONCRETE TO HAVE MINIMUM COMPRESSIVE STRENGTH OF 3000 PSI.
- BUTRESS DIMENSIONS GIVEN ARE MINIMUM DIMENSIONS BASED UPON 3000 PSI SOIL BEARING CAPACITY AND 150 PSI INTERNAL PIPE PRESSURE.
- ALL CONCRETE SHALL BE CARRIED TO UNDISTURBED EARTH.

BUTRESS DIMENSIONS					
PIPE	D	6"	8"	10"	12"
TEES	H	8"	9"	10"	1'-0"
	I	8"	10"	1'-0"	1'-3"
	J	7"	9"	1'-0"	1'-2"
	K	6"	8"	8"	8"
PLUGS	K*	5"	5"	5"	5"
	E	6"	8"	8"	10"
	F	1'-0"	1'-4"	1'-8"	2'-0"
1 1/4" HOR	A	6"	8"	10"	1'-0"
	B	7"	8"	9"	10"
	C	7"	7"	8"	8"
2 1/2" HOR	A	9"	1'-0"	1'-6"	1'-9"
	B	7"	8"	9"	10"
	C	8"	9"	10"	11"
45" HOR	A	1'-3"	1'-8"	2'-1"	2'-6"
	B	7"	8"	9"	11"
	C	8"	9"	10"	11"
90" HOR	A	2'-0"	2'-6"	3'-0"	3'-6"
	B	6"	9"	1'-0"	1'-3"
	C	1'-10"	1'-9"	1'-8"	1'-7"
22 1/2" VERT	A	6"	8"	10"	1'-0"
	B	7"	8"	9"	10"
	C	7"	7"	8"	8"
45" VERT	A	9"	1'-0"	1'-6"	1'-9"
	B	7"	7"	8"	10"
	C	7"	7"	8"	8"
90" VERT	A	1'-3"	1'-8"	2'-1"	2'-6"
	B	7"	8"	9"	11"
	C	7"	8"	10"	11"

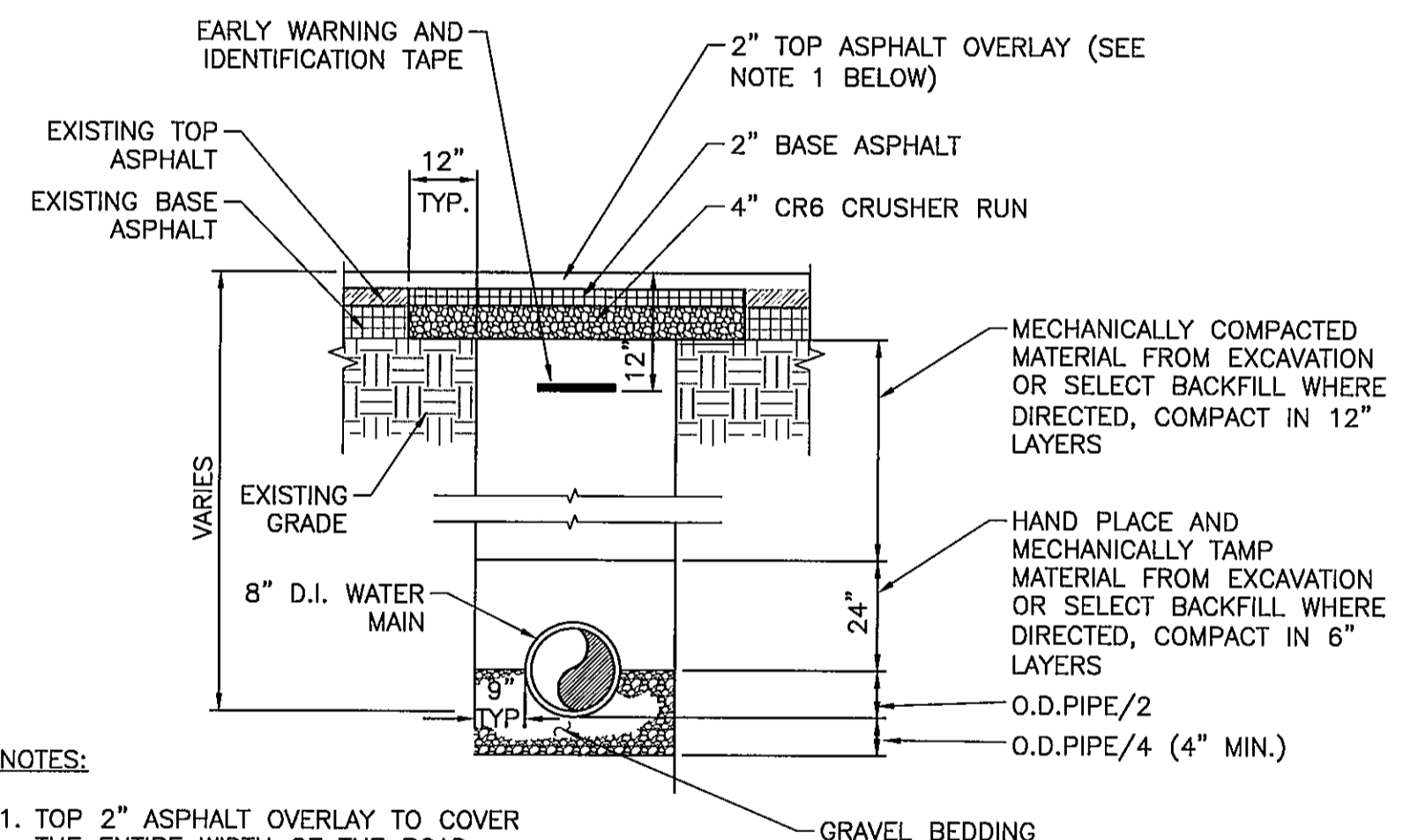
K* - FOR COMPACT FITTINGS



PRODUCTION WELL DETAIL
NO SCALE

NOTES:

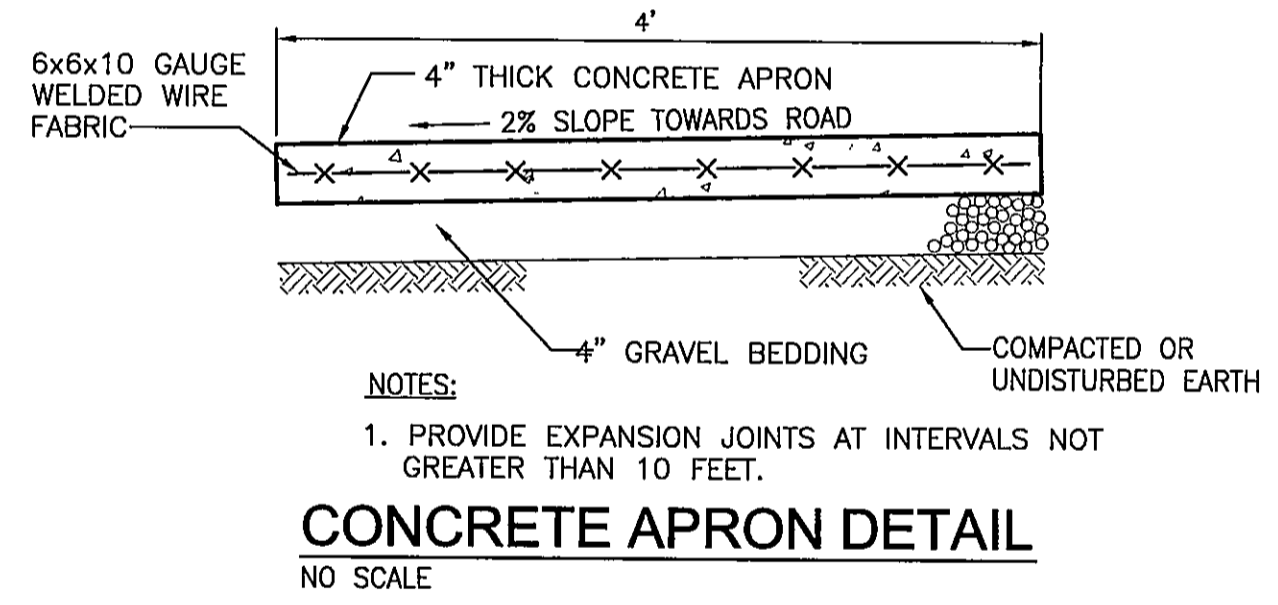
- CONTRACTOR TO PROVIDE 24 HR PUMP TEST WITH 12 HR RECOVERY PERIOD TO ENSURE PRODUCTION CAPACITY.
- MOTOR (NOT SHOWN FOR CLARITY) SEE SECTION 02660 OF SPECIFICATIONS MANUAL.
- 6" CHECK VALVE LOCATED APPROX. 21' ABOVE SUBMERSIBLE PUMP. (CHECK VALVE NOT SHOWN FOR CLARITY)



ROAD RESTORATION DETAIL
NO SCALE

NOTES:

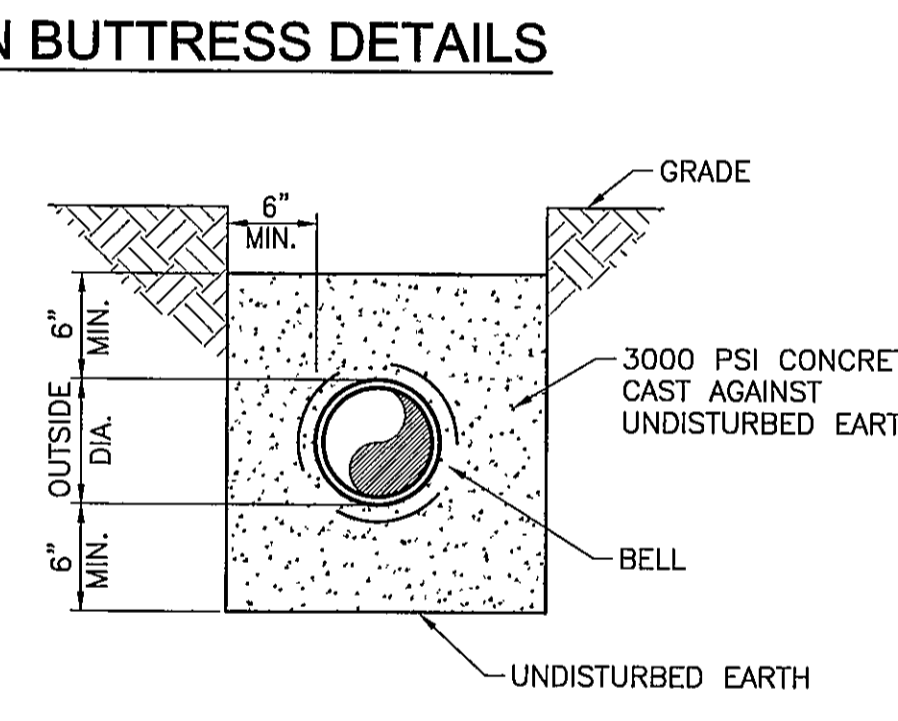
- TOP 2" ASPHALT OVERLAY TO COVER THE ENTIRE WIDTH OF THE ROAD.
- PROVIDE SHEETING AND SHORING AS REQUIRED TO CONSTRUCT PIPE (NOT SHOWN FOR CLARITY)



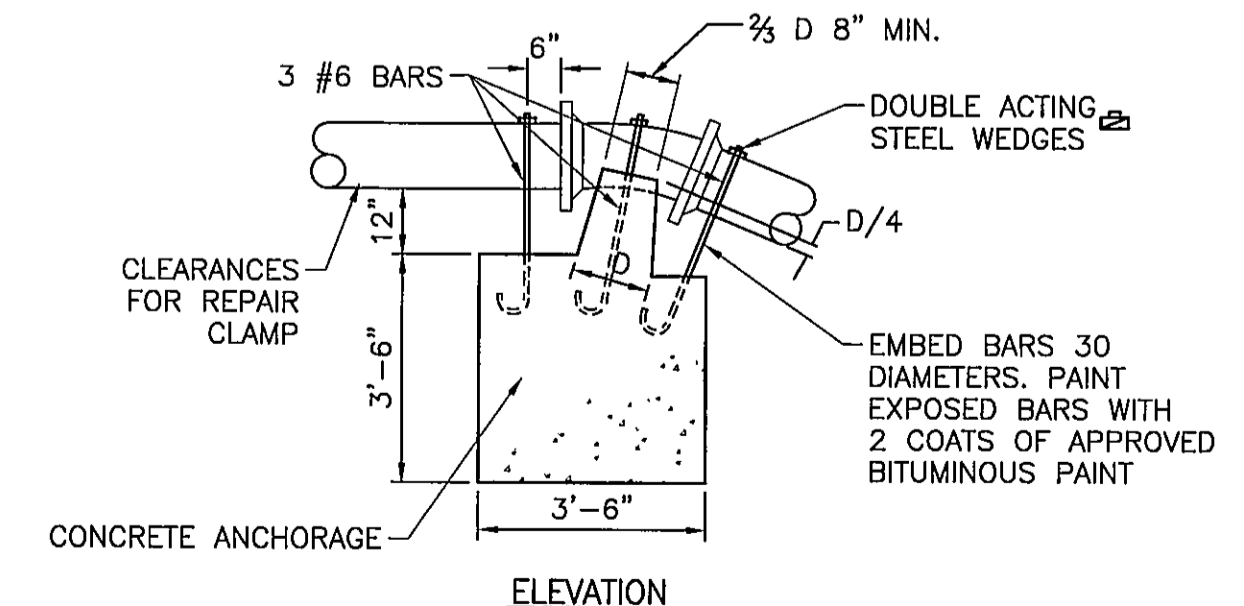
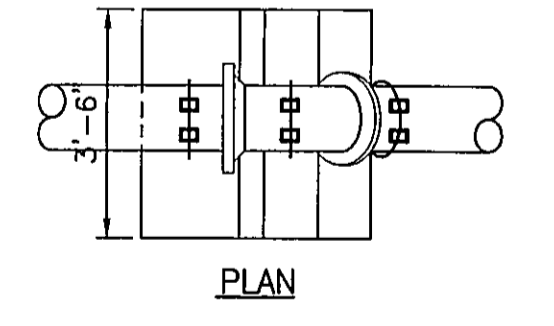
CONCRETE APRON DETAIL
NO SCALE

NOTES:

- PROVIDE EXPANSION JOINTS AT INTERVALS NOT GREATER THAN 10 FEET.



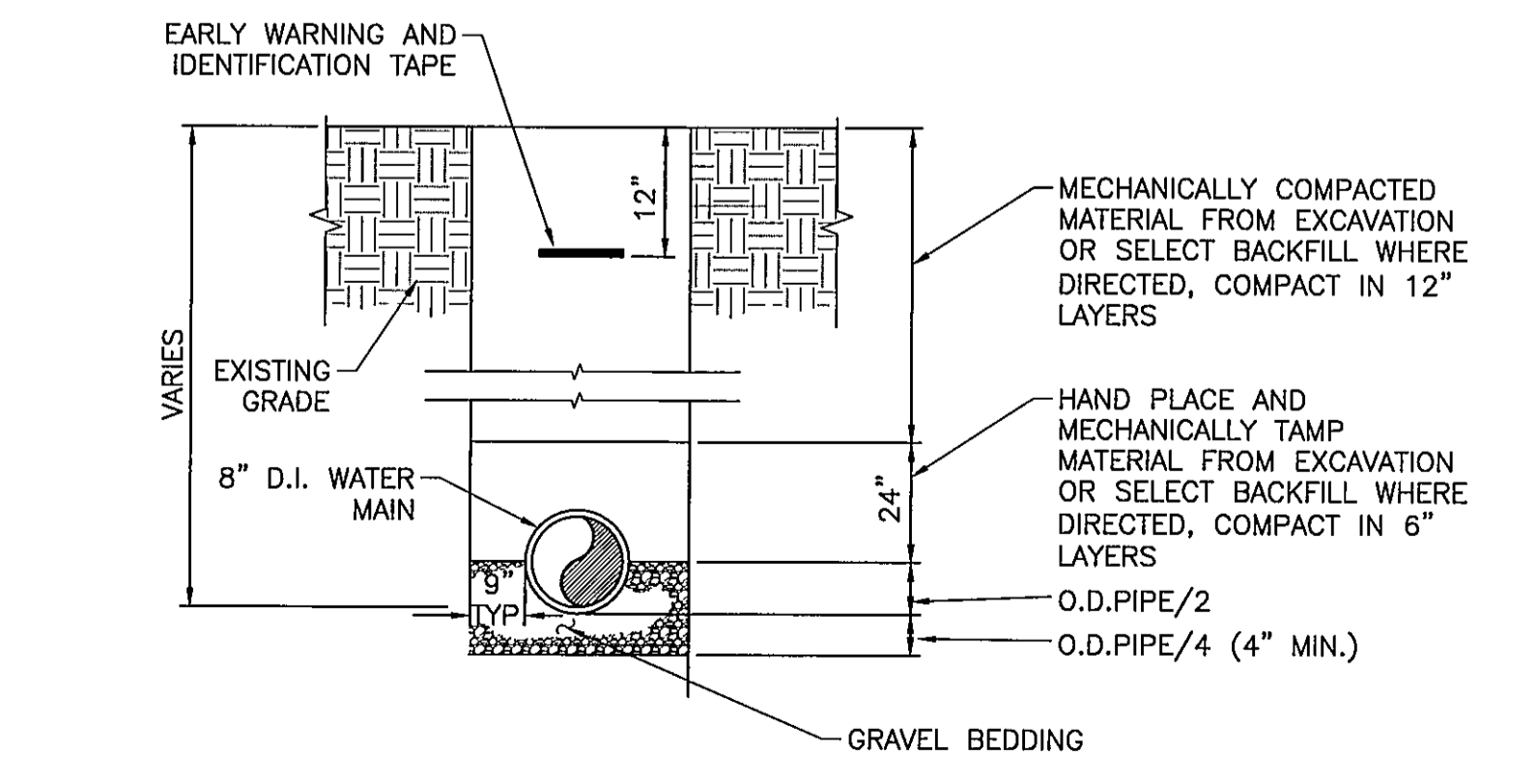
ENCASEMENT DETAIL
NO SCALE



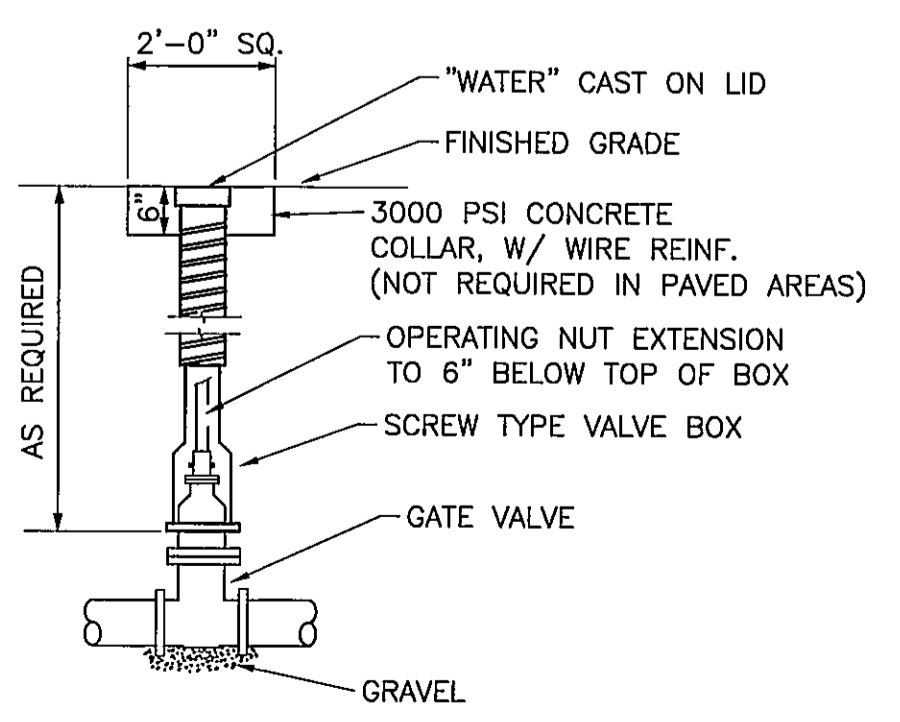
NOTES:

- ALL CONCRETE TO HAVE MINIMUM COMPRESSIVE STRENGTH OF 3000 PSI.
- BUTRESS DIMENSIONS GIVEN ARE MINIMUM DIMENSIONS BASED UPON 3000 PSI SOIL BEARING CAPACITY AND 150 PSI INTERNAL PIPE PRESSURE.
- ALL CONCRETE SHALL BE CARRIED TO UNDISTURBED EARTH.

ANCHORAGE DETAIL FOR VERTICAL BENDS
NO SCALE



PIPE BEDDING AND BACKFILL DETAIL
NO SCALE



VALVE BOX DETAIL
NO SCALE

PRINTS ISSUED FOR:
CONSTRUCTION

DATE	
REVISIONS	
NO.	

GMB
GEORGE, MILES & BUHR, LLC
ARCHITECTS & ENGINEERS
BALTIMORE • LEWIS • SEABOARD • YORK
www.gmbnet.com

TOWN OF DENTON
DENTON WELL NO.6
DENTON, MARYLAND

DETAILS

SCALE : AS NOTED SHEET NO. C3

DESIGN BY :
DRAWN BY : VAL_JAS
CHECKED BY : VAL_JAS
GMB FILE : 2008271A
DATE : FEB 2012

© COPYRIGHT 2012 GEORGE, MILES & BUHR, LLC

PLOT CODE
PLOT SCALE
PLOT AREA
PLOT DATE
PLOT TIME
PLOT USER
PLOT DEVICE